



November 26, 2024

SUPPLEMENTAL BID BULLETIN NO. 2

Supply and Delivery of Laboratory Equipment for the Center of Food Technology and Research (APP 2024)

This Bid Bulletin no. 1 is issued to clarify items and shall be an integral part of the Bidding Documents.

Please be informed of the modification in the bidding documents.

POSTED TO PHILGEPS		MODIFICATION	
Section VII. Technical Specifications		Section VII. Technical Specifications	
LOT NO.1		LOT NO. 1	
Item No.	Description	Item No.	Description
1.	Commercial Vertical Gas Boiler, Rated Steam Capacity (t/h): 1 Rated steam pressure (Mpa): 0.4/0.7 Rated steam temperature (°C): 151 Fuel consumption (Nm3/h): 78, 65 and 28 Weight (Kg): 2561 Size(mm): 2468*φ1358 with 1 year warranty with installation	1.	Commercial Vertical Gas Boiler, Rated Steam Capacity (t/h): 1 Rated steam pressure (Mpa): 0.4/0.7 Rated steam temperature (°C): 151 Fuel consumption (Nm3/h): 78, 65 and 28 Weight (Kg): 2561 Size(mm): 2468*φ1358 with 1 year warranty with installation On going coordination with the PCSU and LGU regarding permit and certification
2.	Commercial Industrial Bubble Fruit and Vegetable Washing Machine, warranty of core components:1 Year Core Components: Motor Model Number: 600-800-1000-1200 Weight: 800 KG Voltage: 220V/380V Power: 3.75 Dimension(L*W*H): 4000*1300*1400mm Washing type: Water Bubble Washing Capacity 200-2000 kg / h Function Air Bubble Water Washing Machine with 1 year warranty	2.	Commercial Industrial Bubble Fruit and Vegetable Washing Machine, warranty of core components:1 Year Core Components: Motor Weight: 800 KG Voltage: 220V/380V Power: 3.75 Dimension(L*W*H): 4000*1300*1400mm Washing type: Water Bubble Washing Capacity 200-2000 kg / h Function Air Bubble Water Washing Machine with 1 year warranty with installation



Republic of the Philippines
 TARLAC STATE UNIVERSITY
BIDS AND AWARDS COMMITTEE
Goods and Services
 Romulo Blvd., San Vicente, Tarlac City
 Tel. No.: (045) 982-4630
 Website: www.tsu.edu.ph

3	<p>Full Automatic Collagen Drink Fruit Juice Horizontal Filling Machine Premade Bag Doypack Juice Soda Liquid Packing Machine, Function FILLING, Sealing Packaging Type Stand-up Pouch, Bags, Pouch Packaging Material Plastic, Wood Other attributes Production Capacity 25bag/min warranty 2 years Key Selling Points Long Service Life Machinery Test Report Provided Video outgoing-inspection Provided warranty of core components 1 Year Core Components Motor, PLC, Engine Type Multi-Function Packaging Machine Condition New Driven Type Pneumatic Voltage 110V/220V/380V/415V Dimension(L*W*H) 2000*800*1500mm Name Horizontal pouch packing machine Material Stainless Steel 304/316 Main Function Filling, sealing, date printing Bag type Stand-up bag, zipper bag, etc Bag material PE, Laminated film , paper bag Bag sealing type Heat sealing, sewing, glue brushing Speed 25bags/min Bag width 70-280mm 19 Bag length 80-440mm with 1 year warrant</p>	3.	<p>Full Automatic Collagen Drink Fruit Juice Horizontal Filling Machine Premade Bag Doypack Juice Soda Liquid Packing Machine, Function FILLING, Sealing Packaging Type Stand-up Pouch, Bags, Pouch Packaging Material Plastic, Wood Other attributes Production Capacity 25bag/min warranty 2 years Key Selling Points Long Service Life Machinery Test Report Provided Video outgoing-inspection Provided warranty of core components 1 Year Core Components Motor, PLC, Engine Type Multi-Function Packaging Machine Condition New Driven Type Pneumatic Voltage 110V/220V/380V/415V Dimension(L*W*H) 2000*800*1500mm Name Horizontal pouch packing machine Material Stainless Steel 304/316 Main Function Filling, sealing, date printing Bag sealing type Heat sealing, sewing, glue brushing Speed 25bags/min Bag type Stand-up bag, zipper bag, etc. Bag material PE, Laminated film , paper bag</p>
4	<p>Automatic Liquid Packaging Machine Sachet Bag Water Filling Packing Machine, Production Capacity: 20-40bags/min, Weight (KG): 300 warranty: 1 Year, Electric Voltage AC 220V/50HZ 110V/60HZ, Dimension(L*W*H) 730*750*1700mm Packing range: 5-300ml Packing Film Composite material:</p>	4.	<p>Automatic Liquid Packaging Machine Sachet Bag Water Filling Packing Machine, Production Capacity: 20-40bags/min, Weight (KG): 300 warranty: 1 Year, Electric Voltage AC 220V/50HZ/60HZ, Dimension(L*W*H) 730*750*1700mm Packing range: 5-300ml</p>



Republic of the Philippines
 TARLAC STATE UNIVERSITY
BIDS AND AWARDS COMMITTEE
Goods and Services

Romulo Blvd., San Vicente, Tarlac City
 Tel. No.: (045) 982-4630
 Website: www.tsu.edu.ph

	<p>OPP/ CPP, OPP/ CE, MST/ PE/ PET/ PE Forming bag dimension L40-200mm W25-150mm (can be customized) Sealing type: Three sides sealing, back sealing Machine material: Stainless steel Measure method: Piston Advantage: Stable working Control system: PLC+touch Screen with installation</p>	<p>Packing Film Composite material: OPP/ CPP, OPP/ CE, MST/ PE/ PET/ PE Forming bag dimension L40-200mm W25-150mm (can be customized) Sealing type: Three sides sealing, back sealing Machine material: Stainless steel Measure method: Piston Advantage: Stable working Control system: PLC+touch Screen with installation</p>
<p>5.</p>	<p>High Speed Automatic Bottle Filling Machine, Machine Model: ZS-AFC28, Voltage: 220V/110V 50-60Hz, Power: 3kW, Production Speed: About 40 bottles/min (depending on bottle size and filling materials), Filling Range: 10-1000ml (can be customized), Filling Pump: Peristaltic Pump, Max Flow rate: 6L/min (based on water), Suitable Bottle Size: Can be Customized, Bottle Cap Size: Can Be Customized, Air Pressure: 0.5-0.7 MPa, Machine Size: 2050*1800*1500mm, Packaging Weight: About 725kg (Filling Machine) About 78kg (Vibratory Bowl), Packaging Size: About 2080*1000*1960mm (Filling Machine) About 1020*610*580mm (Vibratory Bowl) with installation</p>	<p>5. High Speed Automatic Bottle Filling Machine, Voltage: 220V 50-60Hz, Power: 3kW, Production Speed: About 40 bottles/min (depending on bottle size and filling materials), Filling Range: 10-1000ml (can be customized), Filling Pump: Peristaltic Pump, Max Flow rate: 6L/min (based on water), Suitable Bottle Size: Can be Customized, Bottle Cap Size: Can Be Customized, Air Pressure: 0.5-0.7 MPa, Machine Size: 2050*1800*1500mm, Packaging Weight: About 725kg (Filling Machine) About 78kg (Vibratory Bowl), Packaging Size: About 2080*1000*1960mm (Filling Machine) About 1020*610*580mm (Vibratory Bowl) with installation</p>
<p>8.</p>	<p>Universal Pin Mill Grinder Stainless Steel Hammer Mill Herb Spice Pulverizer Machine, Output (kg/h) 20 - 1000 kg/h Feeding Size (mm) 6 - 15 mm Output Size (mesh) 12 - 120 mesh Other attributes Application Chemicals Processing, Food Processing, Condition New, Type Grinder Place of Origin China Weight (KG) 600 KG, warranty 1 Year</p>	<p>8. Universal Pin Mill Grinder Stainless Steel Hammer Mill Herb Spice Pulverizer Machine, Output (kg/h) 20 - 1000 kg/h Feeding Size (mm) 6 - 15 mm Output Size (mesh) 12 - 120 mesh Other attributes Application Chemicals Processing, Food Processing, Condition New, Type Grinder Weight (KG) 600 KG, warranty 1 Year</p>



Republic of the Philippines
 TARLAC STATE UNIVERSITY
BIDS AND AWARDS COMMITTEE
Goods and Services

Romulo Blvd., San Vicente, Tarlac City
 Tel. No.: (045) 982-4630
 Website: www.tsu.edu.ph

9.	Table-top Pulverizer, stainless steel; capacity: 5-8kgs/hr; high speed grinding; full copper motor; different size grinding; incl. factory calibration certificate	9.	Table-top Pulverizer, stainless steel; capacity: 5-8kgs/hr; high speed grinding; full copper motor; with different size grinding
10.	Fruit and Vegetable Juice Extractor Machine, industrial type; multi-purpose; automatic fruit juice screw press; with food grade pushing rod; detachable stainless steel juicing net inside the machine; heavy duty base; incl. factory calibration certificate with installation	10.	Fruit and Vegetable Juice Extractor Machine, industrial type; multi-purpose; automatic fruit juice screw press; with food grade pushing rod; detachable stainless steel juicing net inside the machine; heavy duty base. Capacity: 15 kilograms
13.	Can Seamer, semi-auto bench top can seamer; for 12oz,16oz, 330ml, 500ml cans; power: 250W 24V DC;rated speed: 3300 RPM; fast seaming process; incl. calibration certificate; With one year warranty	13.	Can Seamer, semi-auto bench top can seamer; for 12oz,16oz, 330ml, 500ml cans Can size: 12.3-16.8cm ht x 2.13-6.6cm lid diameter; power: 250W 24V DC;rated speed: 3300 RPM; fast seaming process; With one year warranty
16.	Deep Fryer, -The whole machine adopts a detachable design. The lid, basket, handle, tank, heater, and oil residue partition can all be disassembled for easy cleaning; simple installation -Adjustable temperature range: 60 to 200°C (140 to 392°F), Suit for 110v, 60Hz, Power: 2500W each fryer, total: 5000W; oil can be heated quickly -The whole machine is designed with two independent heaters, and the capacity of each fryer is 6L, a total of 12L. Two independent power supplies can work at the same time, or use only one of them, which 2 unit 76 is convenient to control and save power. Package size:about 22.2*17.9*12.2inch (56.5*45.5*31cm) -Package included: 1x stainless steel frame; 1x manual; 2xPCS electric fryer controller; 2xPCS stainless steel tank; 2xPCS stainless steel basket; 2xPCS handle; 2xPCS stainless steel lid; 2xPCS stainless steel partitions -With one year warranty	16.	Deep Fryer, -The whole machine adopts a detachable design. The lid, basket, handle, tank, heater, and oil residue partition can all be disassembled for easy cleaning; simple installation -Adjustable temperature range: 60 to 200°C (140 to 392°F), Suit for 220v, 60Hz, Power: 2500W each fryer, total: 5000W; oil can be heated quickly -The whole machine is designed with two independent heaters, and the capacity of each fryer is 6L, a total of 12L. Two independent power supplies can work at the same time, or use only one of them, which is convenient to control and save power. Package size:about 22.2*17.9*12.2inch (56.5*45.5*31cm) -Package included: 1x stainless steel frame; 1x manual; 2xPCS electric fryer controller; 2xPCS stainless steel tank; 2xPCS stainless steel basket; 2xPCS handle; 2xPCS stainless steel lid; 2xPCS stainless steel partitions -With one year warranty



Republic of the Philippines
 TARLAC STATE UNIVERSITY
BIDS AND AWARDS COMMITTEE
Goods and Services

Romulo Blvd., San Vicente, Tarlac City
 Tel. No.: (045) 982-4630
 Website: www.tsu.edu.ph

17.	Rotary Oven, dimensions: (H*W*D) 2300x1800x1900 mm; weighing 1300 kg; Voltage: 400 Volt; Power: 48 Kw; Large baking capacity: containing baking Frame, baking 32pans each time; Saving the cost: stainless steel tubes and imported electric burner; Extrathick health insulation material; incl. calibration certificate; with one year warranty with installation	17.	Rotary Oven, dimensions: (H*W*D) 2300x1800x1900 mm; weighing 1300 kg; Voltage: 400 Volt; Power: 48 Kw; Large baking capacity: containing baking Frame, baking 32pans each time; Saving the cost: stainless steel tubes and imported electric burner; Extra-thick heatinsulation material; incl. calibration certificate; with one year warranty with installation
LOT NO. 2		LOT NO. 2	
36.	Anti Vibration Tables, -Stainless Steel -Balance performance maximised by elimination of vibrations -Custom designed elastomeric isolators built into worktop -Ideal for larger balances thermal analyser and similar instruments -With one year warranty -Dimension: 30"H; 48"W -Capacity: 25kg	36.	Anti Vibration Tables, -Stainless Steel -Balance performance maximised by elimination of vibrations -Custom designed elastomeric isolators built into worktop -Ideal for larger balances thermal analyser and similar instruments -With one year warranty -Dimension: 30"H; 48"W -Capacity: 25kg
40.	Sensory Booths with sink (Modular), -1.00mWx1.00mLx2.10mH Sensory Booth fabricated with 3/4"thk. Laminated Marine Plywood - Plain White Finish (Non-glossy) including wood edging; with 0.34mWx0.40mH Counter Opening to be covered with vertical sliding door; Equipped with 1 - Acid resistant polypropylene sink with drainboard and 1- WSF Gooseneck Water Faucet complete with trap, drain fittings; 10pcs (5pcs backto-back) - 6500 K temperature lighting that can provide colored light sources complete with wirings and switches; and complete accessories with installation	40.	(A separate file for the layout will be provided)



Republic of the Philippines
 TARLAC STATE UNIVERSITY
BIDS AND AWARDS COMMITTEE
Goods and Services

Romulo Blvd., San Vicente, Tarlac City
 Tel. No.: (045) 982-4630
 Website: www.tsu.edu.ph

41.	Chest Freezer, HD Inverter Chest Freezer Dual Function Technology (Freezer or Chiller) Solid Top with Glass Cover Inside Digital Temperature control w/ LCD Display Galvanized Interior LED Light Recessed Handle with Key Lock Roller Feet Dimension (HxWxD): 85 x 112 x 70 cm Warranty: 1 Year on Service 2 Years on Parts 5 Years on Compressor	41.	Chest Freezer, HD Inverter Chest Freezer Dual Function Technology (Freezer or Chiller) Solid Top with Glass Cover Inside Digital Temperature control w/ LCD Display Galvanized Interior LED Light Recessed Handle with Key Lock Roller Feet Dimension (HxWxD): 85 x 112 x 70 cm Warranty: 1 Year on Service 1 Years on Parts 5 Years on Compressor
42.	Freezer, 43 cu. Ft. upright freezer; 8 adjustable shelves; Full Stainless Steel 304 (Body and Door); Digital Temperature Control; Roller Feet with Stopper; LED Lighted Interior; Key lock; Dimension (HxWxD): 200x134x81cm; with one year warranty; with calibration certificate.	42.	Freezer, 38 cu. Ft. upright freezer; 8 adjustable shelves; Full Stainless Steel 304 (Body and Door); Digital Temperature Control; Roller Feet with Stopper; LED Lighted Interior; Key lock; Dimension (HxWxD): 200x134x81cm; with one year warranty; with calibration certificate.
46.	Induction Stove, -Dimension: 67.4 x 43.4 x 9.7 Centimeters -Included Components: 1 double induction cooktop -Easy to clean -Dual Heat sensor -With one year warranty -Total Watts-3200 W (Left Cook Station2000W+Right Cook Station-1200W)	46.	Induction Stove -Included Components: 1 double induction cooktop -Easy to clean -Dual Heat sensor -With one year warranty -Total Watts-3200 W (Left Cook Station-2000W+Right Cook Station-1200W)
64.	Differential Scanning Calorimeter, Specifications: This product was developed to provide a general-purpose DSC with a broad temperature range (-180 – 600°C) for all common applications. Furthermore, emphasis was placed on an extremely stable baseline and high reproducibility. The design allows manual and automatic operation. The conception of the cell guarantees maximum mechanical and chemical resistance. Temperature range: -180°C (with	64.	Differential Scanning Calorimeter, Specifications: This product was developed to provide a general-purpose DSC with a broad temperature range (-180 – 600°C) for all common applications. Furthermore, emphasis was placed on an extremely stable baseline and high reproducibility. The design allows manual and automatic operation. The conception of the cell guarantees maximum mechanical and chemical resistance. Temperature range: -180°C (with



Republic of the Philippines
 TARLAC STATE UNIVERSITY
BIDS AND AWARDS COMMITTEE
Goods and Services

Romulo Blvd., San Vicente, Tarlac City
 Tel. No.: (045) 982-4630
 Website: www.tsu.edu.ph

<p>appropriate cooling option) up to +600°C Heating and cooling rates: 0,001 up to 300°C/min Temperature accuracy: +/- 0.2K Temperature precision: +/- 0.02K Digital Resolution: 16.8 million points Resolution: 0.03 μW Atmospheres: inert, oxidizing (static, dynamic) Measuring range: +/-2,5 up to +/-250mW Calibration materials: included Calibration: recommended 6-month interval Temperature range: -180°C (with appropriate cooling option) up to +600°C Heating and cooling rates: 0,001 up to 300°C/min Temperature accuracy: +/- 0.2K Temperature precision: +/- 0.02K Digital Resolution: 16.8 million points Resolution: 0.03 μW Atmospheres: inert, oxidizing (static, dynamic) Measuring range: +/-2,5 up to +/-250mW Calibration materials: included Calibration: recommended 6-month interval Includes: -Al Standard crucible with lid 6x1,5mm 40μl (not crimpable) - Sample press for crimping crucibles Incl. tool for 30293043, 30293044, 30293045 and 30293046 - L63/PRESSANDTOOL - Aluminum 1 unit 97 crucible (40 μl, for crimping) - Aluminum lid for 40μl and 100μl crucibles for crucibles 30293043 and 30293045, non pierced -Pierced aluminum lid for 40μl and 100μl crucibles for crucibles 30293043 and 30293045 - -L40/3051 manual gas control 1 gas - Liquid Nitrogen Quench-Cooling Option - High sensitivity ceramic sensor for chip DSC, High resolution Sensor for maximum sensitivity (up to +35%). Recommended for polymer applications (e.g. glass transition, melting point and crystallization) Compatible with all ChipDSC systems and accessories. - State of the Art Desktop-PC incl. Windows© OS Intel Core i3-1300,</p>	<p>appropriate cooling option) up to +600°C Heating and cooling rates: 0,001 up to 300°C/min Temperature accuracy: +/- 0.2K Temperature precision: +/- 0.02K Digital Resolution: 16.8 million points Resolution: 0.03 μW Atmospheres: inert, oxidizing (static, dynamic) Measuring range: +/-2,5 up to +/-250mW Calibration materials: included Calibration: recommended 6-month interval Temperature range: -180°C (with appropriate cooling option) up to +600°C Heating and cooling rates: 0,001 up to 300°C/min Temperature accuracy: +/- 0.2K Temperature precision: +/- 0.02K Digital Resolution: 16.8 million points Resolution: 0.03 μW Atmospheres: inert, oxidizing (static, dynamic) Measuring range: +/-2,5 up to +/-250mW Calibration materials: included Calibration: recommended 6-month interval Includes: -Al Standard crucible with lid 6x1,5mm 40μl (not crimpable) - Sample press for crimping crucibles Incl. tool for 30293043, 30293044, 30293045 and 30293046 -L63/PRESSANDTOOL - Aluminum crucible (40 μl, for crimping) - Aluminum lid for 40μl and 100μl crucibles for crucibles 30293043 and 30293045, non-pierced -Pierced aluminum lid for 40μl and 100μl crucibles for crucibles 30293043 and 30293045 - -L40/3051 manual gas control 1 gas - Liquid Nitrogen Quench-Cooling Option - High sensitivity ceramic sensor for chip</p>
---	---



Republic of the Philippines
 TARLAC STATE UNIVERSITY
BIDS AND AWARDS COMMITTEE
Goods and Services

Romulo Blvd., San Vicente, Tarlac City
 Tel. No.: (045) 982-4630
 Website: www.tsu.edu.ph

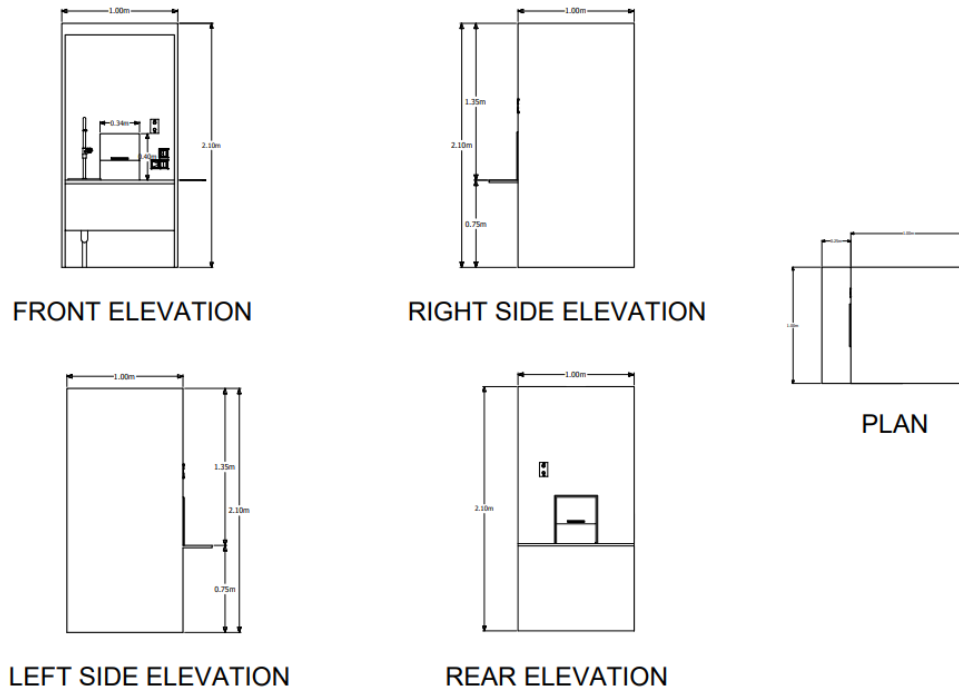
	<p>8GB, DDR4, >23,8" - Software module for temperature modulation (Cp determination) -Starter Kit - UPS 5KVA - AVR 5KVA - With one year warranty - With calibration certificate - With personnel training</p>	<p>DSC, High resolution Sensor for maximum sensitivity (up to +35%). Recommended for polymer applications (e.g. glass transition, melting point and crystallization) Compatible with all Chip- DSC systems and accessories. - State of the Art Desktop-PC incl. Windows© OS Intel Core i3-1300, 8GB, DDR4, >23,8" - Software module for temperature modulation (Cp determination) -Starter Kit - UPS 5KVA - AVR 5KVA - With one year warranty - With calibration certificate - With personnel training</p>
74.	<p>Nitrogen Distillation Apparatus, 500ML Nitrogen Kjeldahl Flask 200mm Length Graham Condenser Connecting Distillation Head Joints:24/40 The 500ml distilling apparatus is used for determining nitrogen in organic compounds. This assembly includes a Kjeldahl flask specifically developed for this process and a Graham condenser with 10mm O.D. tubulations. The connectiong distillation head is 24/40 joints. - With one year warranty - With calibration certificate</p>	74. Nitrogen Distillation Apparatus, 500ML Nitrogen Kjeldahl Flask 200mm Length Graham Condenser Connecting Distillation Head Joints:24/40 The 500ml distilling apparatus is used for determining nitrogen in organic compounds. This assembly includes a Kjeldahl flask specifically developed for this process and a Graham condenser with 10mm O.D. tubulations. The connectiong distillation head is 24/40 joints. - With one year warranty - With calibration certificate



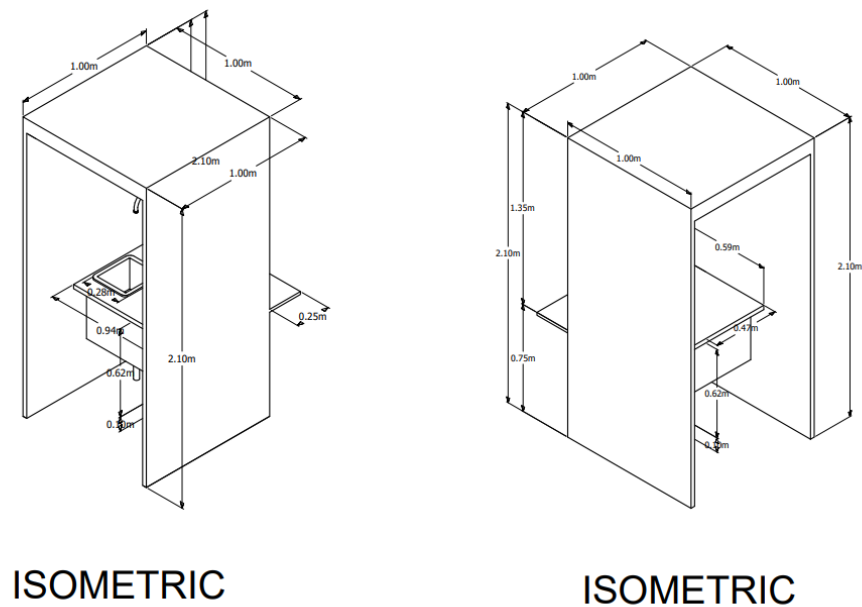
Republic of the Philippines
TARLAC STATE UNIVERSITY
BIDS AND AWARDS COMMITTEE
Goods and Services
Romulo Blvd., San Vicente, Tarlac City
Tel. No.: (045) 982-4630
Website: www.tsu.edu.ph

LAYOUT – Item No. 40

Sensory Booth Plan



Sensory Booth Isometric



For the guidance and information of all concerned.

(SGD) ATTY. WILMARK J. RAMOS, DBA
Chairperson – Goods and Services